

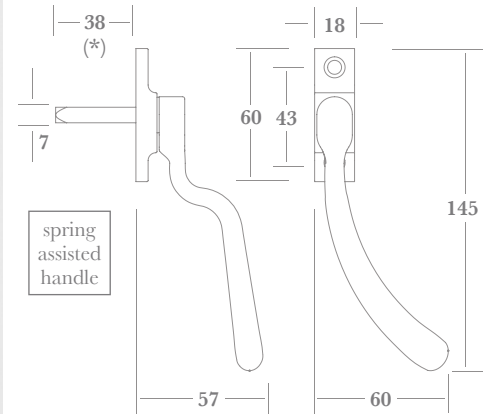
Espagnolette Handles

Three traditional period Espagnolette Handles designed to operate multipoint window mechanisms, all feature spring assistance for positive open and closed positioning.

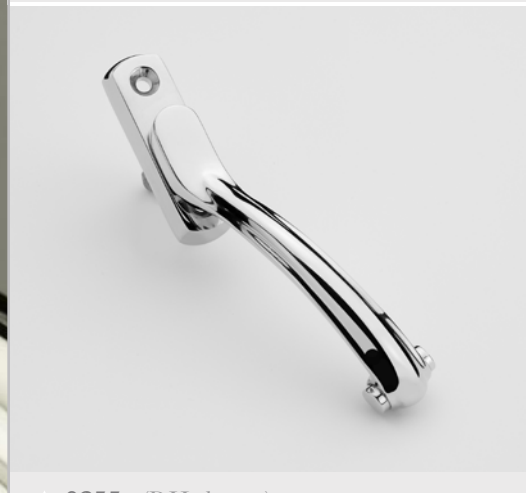
A lockable version with removable key is also available, as is an optional 8mm adaptor sleeve.



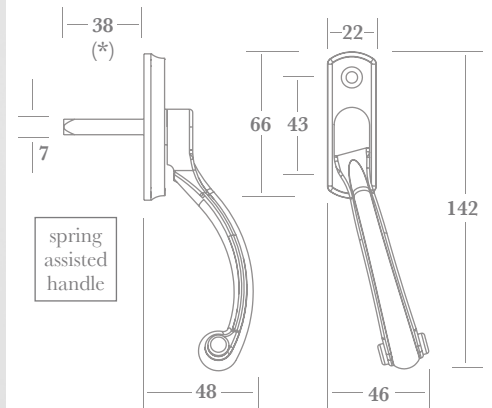
▲ **0350** (RH shown)



(*) other lengths available upon request



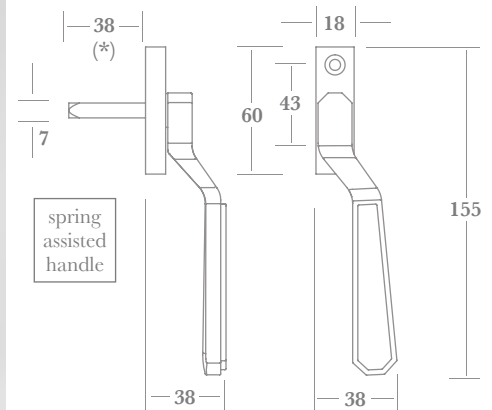
▲ **0355** (RH shown)



(*) other lengths available upon request



▲ **9585** (RH shown)



(*) other lengths available upon request

Fixings

Supplied with finish matched M5 x 40mm machine screws and fitted stainless steel spindle.

How to Order

- 1) select HANDLE (e.g. **0350**)
- 2) choose LOCKING OPTION if required (e.g. **0350LK**)
- 3) add FINISH (e.g. **0350PB**, or **0350LK/PB**)
- 4) add HANDING (e.g. **0350PB/LH**, or **0350LK/PB/LH**).

NB. An adaptor sleeve is available for locking mechanisms with an 8mm hub (e.g. **0350PB/LH/8MM**).

Finishes - See our price list or website for finish availability.



▲ optional 8mm adaptor sleeve (stainless steel)



▲ **LK** version with nickel plated key



Espagnolette Handles

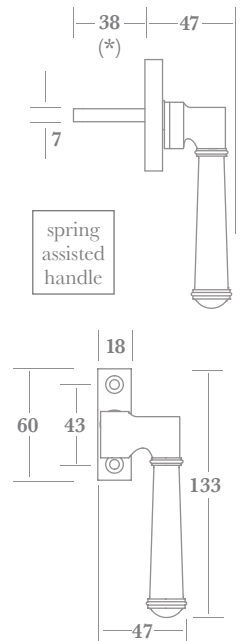
Two classic and two contemporary Espagnolette Handles designed to operate multipoint window mechanisms, each featuring spring assistance for positive open and closed positioning.

A lockable version with removable key is also available, as is an optional 8mm adaptor sleeve.



▲ 0306

▲ 0308 (RH shown)



(* other lengths available upon request

Fixings

Supplied with finish matched M5 x 40mm machine screws and fitted stainless steel spindle.

How to Order

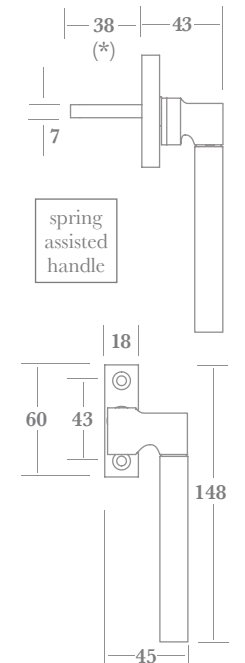
- 1) select HANDLE (e.g. 0306)
- 2) choose LOCKING OPTION if required (e.g. 0306LK)
- 3) add FINISH (e.g. 0306PB, or 0306LK/PB)
- 4) add HANDING (e.g. 0306PB/LH, or 0306LK/PB/LH).

NB. An adaptor sleeve is available for locking mechanisms with an 8mm hub (e.g. 0306LK/PB/LH/8MM).



▲ 0352

▲ 0351 (RH shown)



(* other lengths available upon request

Finishes - See our price list or website for finish availability.



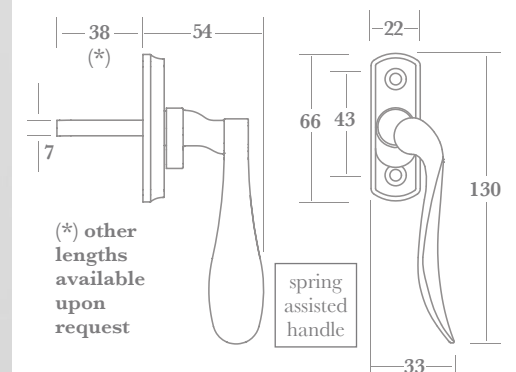
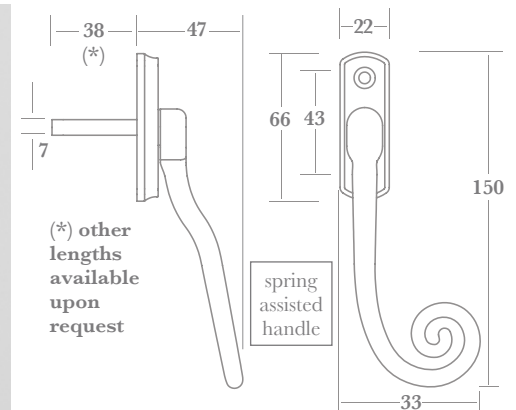
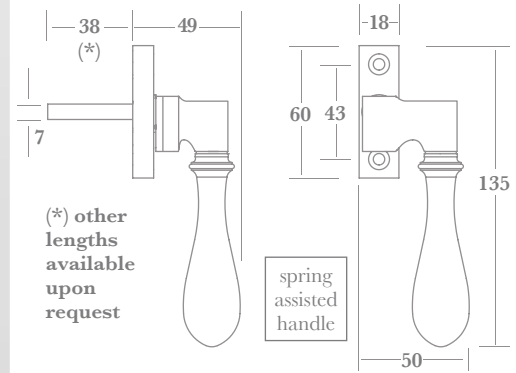
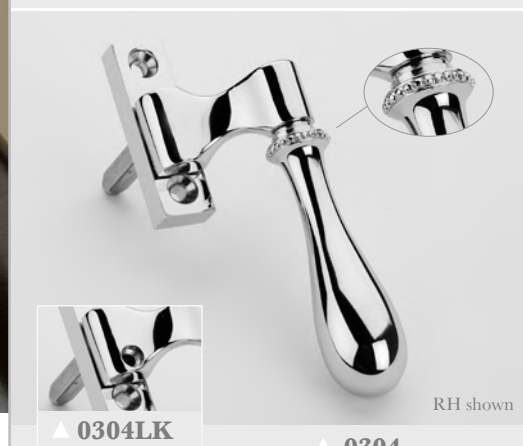
▲ optional 8mm adaptor sleeve (stainless steel)

▲ LK version with nickel plated key

Espagnolette Handles

Three classic designs of Espagnolette Handle for the operation of multipoint window mechanisms, each featuring spring assistance for positive open and closed positioning.

A lockable version with removable key is also available, as is an optional 8mm adaptor sleeve.



Fixings

Supplied with finish matched M5 x 40mm machine screws and fitted stainless steel spindle.

LK versions supplied with nickel plated key.



How to Order

- 1) select HANDLE (e.g. 0302)
- 2) choose LOCKING OPTION if required (e.g. 0302LK)
- 3) add FINISH (e.g. 0302PB, or 0302LK/PB)
- 4) add HANDING (e.g. 0302PB/LH, or 0302LK/PB/LH).

NB. An adaptor sleeve is available for locking mechanisms with an 8mm hub (e.g. 0302LK/PB/LH/8MM).

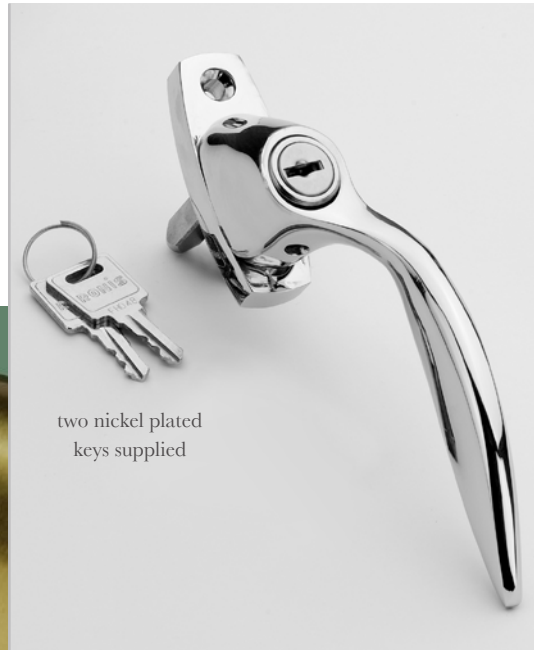
Finishes - See our price list or website for finish availability.



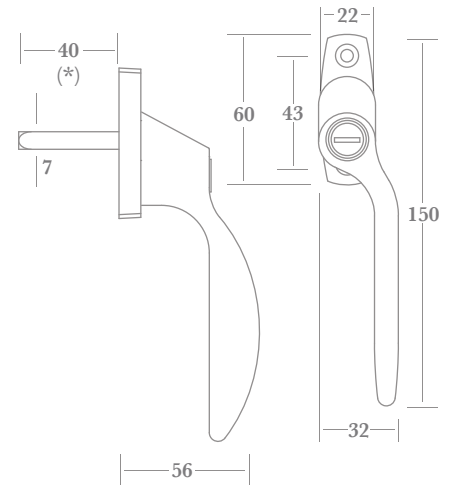
▲ optional 8mm adaptor sleeve (stainless steel)

Espagnolette Handles

Two designs of key lockable Espagnolette Handle for the operation of multipoint window mechanisms - both available with an optional 8mm adaptor sleeve if required.



▲ **0358** (RH shown)



(* other lengths available upon request)

Fixings

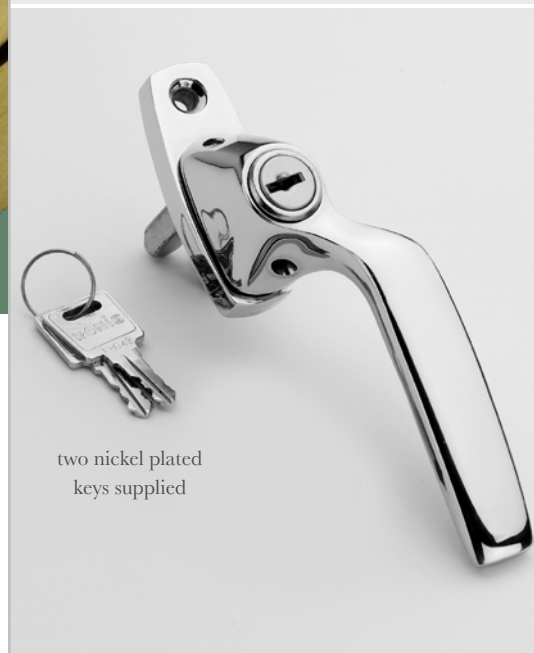
Supplied with finish matched M5 x 40mm machine screws and fitted stainless steel spindle.

How to Order

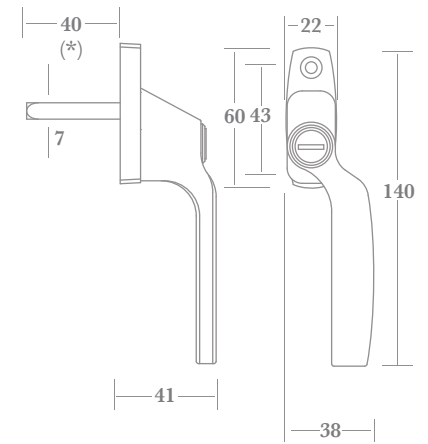
- 1) select HANDLE (e.g. **0359**)
- 2) add FINISH (e.g. **0359PB**)
- 3) add HANDING (e.g. **0359PB/LH**).

NB. An adaptor sleeve is available for locking mechanisms with an 8mm hub (e.g. **0359PB/LH/8MM**).

Finishes - See our price list or website for finish availability.



▲ **0359** (RH shown)



(* other lengths available upon request)



CYLINDER FINISHES

Please note:
We offer two cylinder lock finishes - Brass or Nickel. The most appropriate will be supplied to match the product finish chosen. Please contact us should you have a specific preference.